



101-793

Ness CP2-300 Wireless Networking Bridge

- 2.4G operating frequency, complies with 802.11b/g/n
- Supports data transfer distance up to 500m
- Supports 24V PoE or 12V/1A DC powered
- Wireless speed up to 300Mbps, connecting with 2MP HD cameras without any blocking
- Built-in 12dBi directional antenna with dual polarization
- IP65 enclosure design

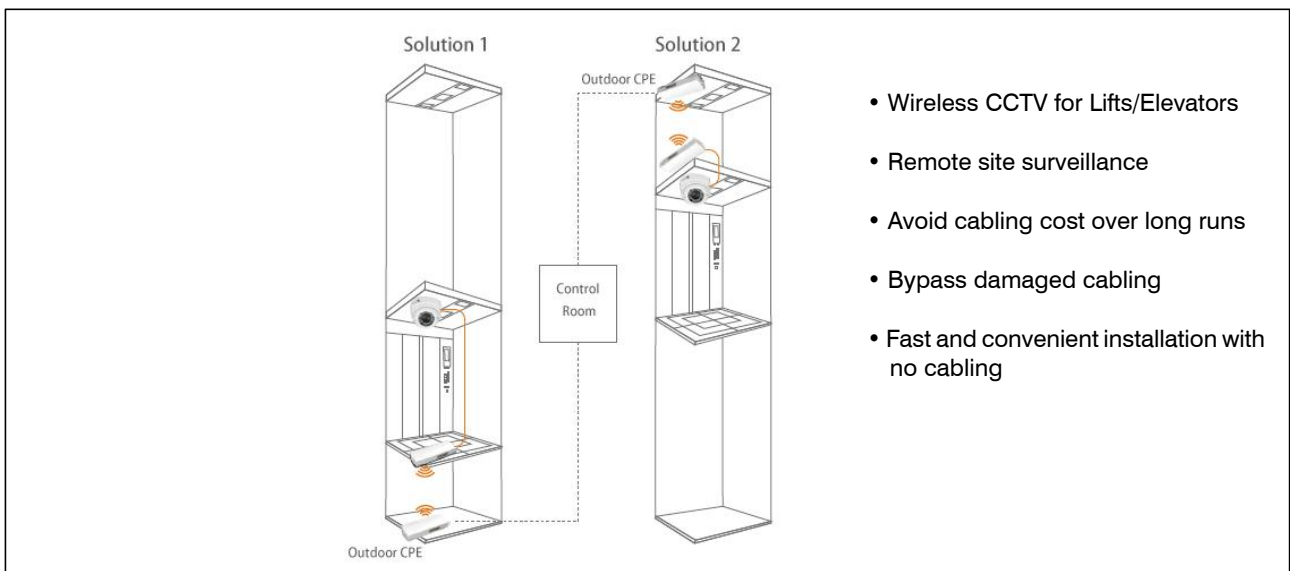
One-key Pairing, WEB Management
2.4G / Elevator Exclusivity

Smart Wireless Bridge



CP2-300

Applications



Specification

Model	101-793 CP2-300
Main Chip	MTK7628KN 300Mbps
Wireless Technology	2.4G:300Mbps 802.11b/g/n MIMO
Memory	DDR2 8MB
Flash	4MB
Interface	2*10/100 Mbps auto-sensing RJ45 ports
Button	1*Digital Switch/Reset. Value 1 added by short pressing, reset by pressing in 5s.
LED	LAN1/PoE, LAN2, PWR
Power	Passive PoE: 24V 0.5A DC 12V 1A, power consumption < 10W
Antenna	Built-in 12dBi directional antenna with dual polarization Horizontal angle: 45 degree, vertical angle: 45 degree.
Operating Environment	Temperature: -30°C ~ +55°C (Operation), -40°C ~ +70°C (Storage) Humidity (Non-condensing): 10% ~ 90% (Operation), 5% ~ 95%(Storage)
Dimension	200mm×115mm×60mm
Weight	400g
Modulation	OFDM = BPSK,QPSK,16-QAM,64-QAM;DSSS = DBPSK,DQPSK,CC
Power Output	11n: @MCS7:16±2dB, @MCS0:16±2dB 11g: @54M:16±2dB, @6M:17±2dB 11b: @11M:18±2dB, @1M:18±2dB
Frequency Range	ISM: 2.300GHz ~ 2.4835GHz
Operating Channel	2.4G : 1, 2, 3, 4, 5, 6, 7, 8, 9, 10, 11, 12, 13, 32, 33, 37, 38, 42, 43
Receiver Sensitivity	802.11n: -70dbm@MCS7, -88dbm@MCS0 802.11g: -72dbm@54Mbps, -88dbm@6Mbps 802.11b: -85dbm@11Mbps, -94dbm@1Mbps
Operation Mode	Master AP, Slave AP (Through dial switch)
Networking Mode	Point to Point, Point to multipoint (Within 8 points)
Management	WEB Default IP: 169.254.254.254 Username/Password: utepo/utepo
Network	Bridge: Static IP/ Dynamic IP

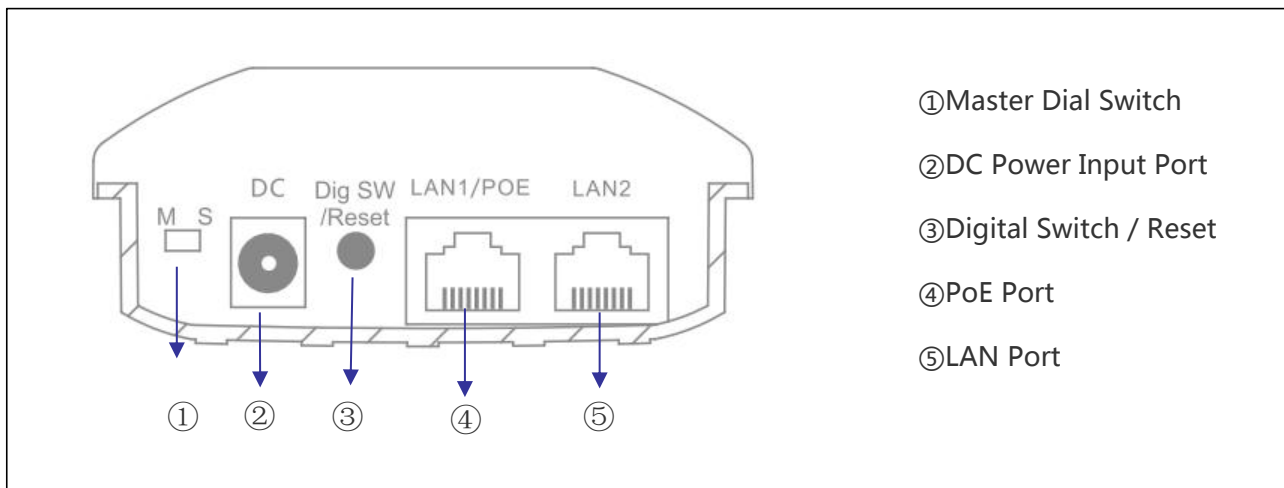
Specification

Wireless Management	Bridge configuration, WIFI configuration
System	Time/ Date Setting, Username Management, Backup/ Restore, Reboot/ Time to Reboot
Update	Local update based on WEB

Packing List

CONTENT	QTY
CPE	1
POE Power Supply	1
Mounting Kits	1
Cable	1
User Manual	1

Interface Diagram



Ordering Information

101-793 Ness CP2-300 Wireless Bridge
 Two units required to make a working pair. Sold individually.

Page 3 of 3



Innovative Electronic Solutions
www.ness.com.au



NSW Ph 02 8825 9222
sales@ness.com.au

VIC Ph 03 9875 6400
nessmelb@ness.com.au

QLD Ph 07 3399 4910
nessbris@ness.com.au

WA Ph 08 9328 2511
nessper@ness.com.au

SA Ph 08 8152 0000
adelaide@ness.com.au