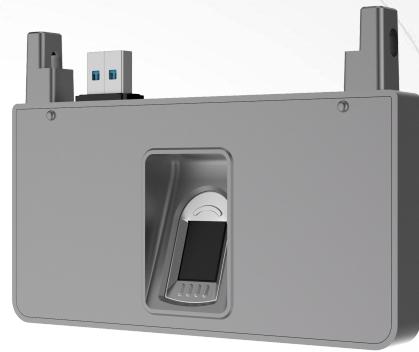


## DS-KAB671F Fingerprint Module

104-839



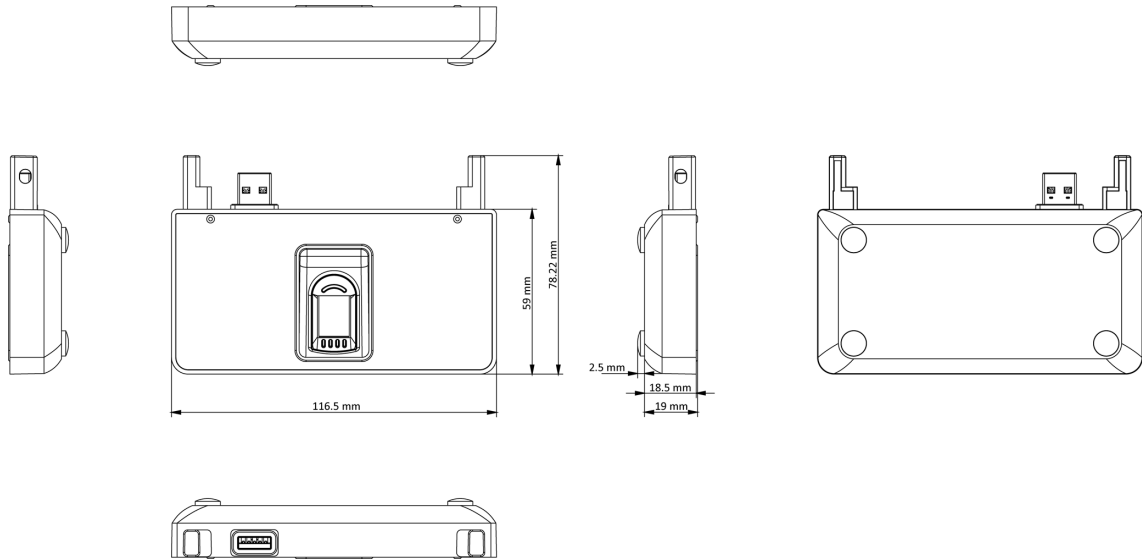
### Feature

Component of DS-K1T671 series and DS-K1T607 series face recognition terminal

### Specifications

Model	DS-KAB671F
Material	PC+ABS
Interface	USB 2.0
Working voltage	5 VDC/500 mA
Working temperature	-30 °C to 60 °C (-22 °F to 140 °F)
Working humidity	0 to 90% (No condensing)
Weight	100 g (0.2 lb)

## Dimensions



## ORDERING INFORMATION

104-984F Hikvision DS-KAB671F Fingerprint Module



Innovative Electronic Solutions  
[www.ness.com.au](http://www.ness.com.au)



**NSW** Ph 02 8825 9222  
[sales@ness.com.au](mailto:sales@ness.com.au)

**VIC** Ph 03 9875 6400  
[nessmelb@ness.com.au](mailto:nessmelb@ness.com.au)

**QLD** Ph 07 3399 4910  
[nessbris@ness.com.au](mailto:nessbris@ness.com.au)

**WA** Ph 08 9328 2511  
[nessper@ness.com.au](mailto:nessper@ness.com.au)

**SA** Ph 08 8152 0000  
[adelaide@ness.com.au](mailto:adelaide@ness.com.au)