

## DS-K1T671M Face Recognition Terminal

104-984



- Forced mask wearing alert: If the recognizing face does not wear a mask, the device will prompt a voice reminder. At the same time, the authentication or attendance will be failed
- Face mask wearing alert: If the recognizing face does not wear a mask, the device will prompt a voice reminder. At the same time, the authentication or attendance is valid
- 7-inch LCD touch screen, 2 Mega pixel wide-angle lens, built-in M1 card reading module
- Face recognition distance (without face mask): 0.3 m to 3 m, Duration < 0.2 s/User, Accuracy rate ≥ 99%
- Max.6000 faces, Max.6000 cards
- Two-way audio with client software, indoor station, and main station
- Supports TCP/IP
- Configuration via the web client
- Supports ISAPI and ISUP5.0 protocol
- IP65

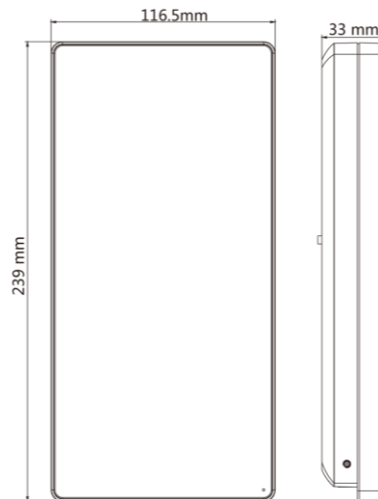
## ▪ Specification

| <b>System</b>                  |   |
|--------------------------------|---|
| Operation system               | Linux                                   |
| <b>Display</b>                 |   |
| Dimensions                     | 7-inch                                  |
| Type                           | LCD                                     |
| Operation method               | Capacitive touch screen                 |
| <b>Video</b>                   |   |
| Pixel                          | 2 MP                                    |
| Lens                           | 2                                       |
| <b>Audio</b>                   |   |
| Tone quality                   | Noise suppression and echo cancellation |
| <b>Network</b>                 |   |
| Wired network                  | 10 M/100 M/1000 M self-adaptive         |
| <b>Interface</b>               |   |
| Network interface              | 1                                       |
| RS-485                         | 1                                       |
| Wiegand                        | 1                                       |
| Lock output                    | 1                                       |
| Exit button                    | 1                                       |
| Door contact input             | 1                                       |
| IO input                       | 2                                       |
| IO output                      | 1                                       |
| Power interface                | 2-pin                                   |
| TAMPER                         | 1                                       |
| USB                            | 2                                       |
| <b>Capacity</b>                |   |
| Card capacity                  | 6000                                    |
| Face capacity                  | 6000                                    |
| Event capacity                 | 50,000                                  |
| <b>Authentication</b>          |   |
| Card type                      | M1 card                                 |
| Card reading frequency         | 13.56MHz                                |
| Card reading distance          | 0 to 5 cm                               |
| Face recognition duration      | < 0.2 s per person                      |
| Face recognition accuracy rate | ≥ 99%                                   |
| Face recognition distance      | 0.3 to 3 m (Without face mask)          |
| <b>Function</b>                |   |
| Face anti-spoofing             | Support                                 |
| Advertisement                  | Support                                 |
| Audio prompt                   | Support                                 |
| Time synchronization           | Support                                 |

**General**

|                     |  |
|---------------------|--|
| Power supply method | 2-pin connector  |
| Power supply        | 12 VDC/2 A   |
| Working temperature | -30 °C to 60 °C (-22 °F to 140 °F)   |
| Working humidity    | 10 to 90% (No condensing)  |
| Dimensions          | 239 mm × 116.5 mm × 33 mm (9.4" × 4.6" × 1.3")   |
| Protective level    | IP65   |
| Installation        | Surface  |
| Language            | English, Spanish (South America), Arabic, Thai, Indonesian, Russian, Vietnamese, Portuguese (Brazil) |
| Platform            | Hik-ProConnect and HikCentral Professional   |








**Dimension**



Without Fingerprint Module

▪ **Accessory**

▪ **Optional**

| DS-K3H4411-120  | DS-KAB671F<br>Fingerprint<br>Module   | DS-KAB671-S<br>Protective Shield  | DS-KAB671-P1  | DS-K3H4410-120  |
|---|---|---|---|---|
|    |  |    |  |  |
| DS-K3H4420-120  |   | DS-KAB671-B<br>Stand Stick  |   |   |
|  |   |  |   |   |

**ORDERING INFORMATION**

104-984

HIKVISION DS-K1T671M Face Access Terminal



Innovative Electronic Solutions  
www.ness.com.au



**NSW** Ph 02 8825 9222  
sales@ness.com.au

**VIC** Ph 03 9875 6400  
nessmelb@ness.com.au

**QLD** Ph 07 3399 4910  
nessbris@ness.com.au

**WA** Ph 08 9328 2511  
nessper@ness.com.au

**SA** Ph 08 8152 0000  
adelaide@ness.com.au