

DS-2CD6986F-(H)
PanoVu series panoramic dome camera

104-808

DARKFIGHTER



Vsmart IPC

DS-2CD6986F-(H) is Hikvision PanoVu series panoramic dome camera and features include:

Multi-Sensor

Support 4 lenses and provide 180° horizontal view

The Darkfighter series ultra-low light Smart cameras are able to capture high quality colored images in dim light environment. DS-2CD6986F offers Full HD resolution with PoE, Defog, 3D DNR to meet a wide variety of applications.



Key Features:

- Panoramic camera
- 1/1.8" Progressive Scan CMOS
- 4 x 5mm fixed lens
- 180° Horizontal View
- Up to 7.3MP resolution (4096 × 1800)
- Ultra-low light
- 3D DNR
- Support 128G on-board storage
- DC12V/PoE ; AC24V/PoE
- Audio/Alarm IO
- IP66 outdoor
- Heater & fan optional



Key Features

Image

- HD 4096 × 1800@25fps/30fps
- Support regional cropping, details can be seen with low bandwidth.
- Code smoothness setting for different requirements of image quality and fluency.
- Support H.264/ MJPEG video compression, multi-level video quality configuration; support Basic/Main/High Profile H.264 encoding complexity.
- Multiple OSD color: Black & white self-adaptive; Custom
- Digital WDR is supportable for backlight environment.
- Support defog, BLC

System

- Support ONVIF (profile S/profile G), CGI, PSIA, ISAPI protocol.
- Support dual streams, and Support 20 channels live view at the same time.
- IK10 protection level.

Interface

- Support standard 128G Micro SD/SDHC/SDXC card storage.
- Support 10M/100/1000M Ethernet Port.
- Support Alarm I/O

Security

- Support three-level user authentication management, user and password authorization, IP address filtering and anonymous access.
- Support security certificate as HTTPS, SSH; support creating certificate.
- Basic and digest authentication is supportable in IE configuration
- Lock user IP for many times error login

DS-2CD6986F-(H) PanoVu series panoramic dome camera

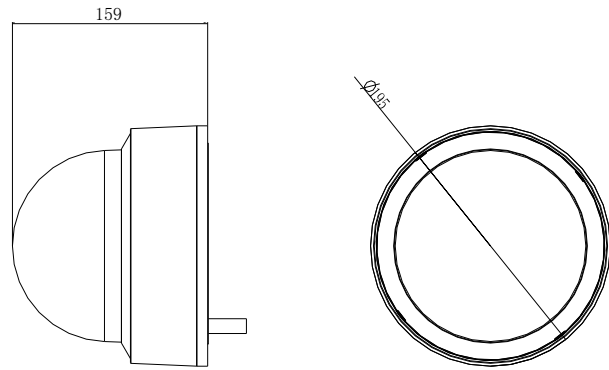


DARKFIGHTER

Specification

Camera	
Image Sensor	1/1.8" Progressive Scan CMOS
Min. Illumination	0.002 Lux @ (F1.2, AGC ON)
Shutter Speed	1/25s ~ 1/100,000s
Lens	5mm x4, Pan: 180°, Tilt:78.4°
Lens Mount	CS
Angle Adjustment	Pan: 0° ~360° , tilt: 45° ~90°
Day & Night	IR Cut Filter
WDR	Digital WDR
Compression Standard	
Video Compression	H.264/ MJPEG
H.264 Type	Baseline Profile / Main Profile / High Profile
Video Bit Rate	32 Kbps – 16 Mbps
Audio Compression	G.711/G.722.1/G.726/MP2L2/AAC/PCM
Audio Bit Rate	64Kbps(G.711) / 16Kbps(G.722.1) / 16Kbps(G.726) / 32-192Kbps(MP2L2) / 16-64Kbps(AAC)
Image	
Max. Resolution	4096 × 1800
Frame Rate	Mode 1 Main Stream: 50Hz: 25fps(4096 × 1800, 3840× 1680) 60Hz: 30fps(4096 × 1800, 3840× 1680) Sub Stream: 50Hz: 25fps (704× 320) 60Hz: 30fps(704× 320)
	Mode 2 Main Stream: 50Hz: 25fps(2400 × 3840, 1200 × 1920); 60Hz: 24fps(2400 × 3840), 30fps(1200 × 1920) Sub Stream: 50Hz: 25fps(480 × 768, 320× 512) 60Hz: 30fps(480 × 768, 320× 512)
Image Enhancement	BLC/ 3D DNR/ROI/Defog
Image Setting	Saturation, Brightness, Contrast, Sharpness adjustable by client software or web browser
Day/Night Switch	Auto/Schedule/Triggered by Alarm In
Picture Overlay	LOGO picture can be overlaid on video with 128x128 24bit bmp format
Network	
Network Storage	NAS (Support NFS,SMB/CIFS), ANR
Alarm Trigger	Motion detection, Tampering alarm, Network disconnect, IP address conflict, Storage exception
Protocols	TCP/IP, UDP, ICMP, HTTP, HTTPS, FTP, DHCP, DNS, DDNS, RTP, RTSP, RTCP, PPPoE, NTP, UPnP, SMTP, SNMP, IGMP, QoS, IPv6, Bonjour
Security	User Authentication, Watermark, IP address filtering, Anonymous access
Standard	ONVIF(PROFILE S,PROFILE G),PSIA,CGI,ISAPI
Interface	
Audio	1-ch 3.5 mm audio in(Mic in/Line in)/out interface
Communication Interface	1 RJ45 10M/100/1000M Ethernet port, 1 RS-485 interface
Alarm	1 input, 1 output (up to DC24V 1A or AC110V 500mA)
On-board storage	Built-in Micro SD/SDHC/SDXC slot, up to 128 GB

Dimensions



General

Impact Protection	IK10
Operating Conditions	-30°C – 60 °C (-22 °F – 140 °F), Humidity 95% or less (non-condensing), -H: -40 °C – 60 °C
Power Supply	12 V DC ± 10%/PoE (802.3at); (24 V AC/PoE)
Power Consumption	22W
Dimensions	Φ 195×159 mm
Weight	2850 g

Order Models

DS-2CD6986F
DS-2CD6986F-(H)

Accessories



DS-1271ZJ-DM30



DS-1273ZJ-DM30



DS-1273ZJ-DM30-B

Ness Part No. 104-808



Innovative Electronic Solutions
www.ness.com.au



NSW Ph 02 8825 9222
sales@ness.com.au

VIC Ph 03 9875 6400
nessmelb@ness.com.au

QLD Ph 07 3399 4910
nessbris@ness.com.au

WA Ph 08 9328 2511
nessper@ness.com.au

SA Ph 08 8152 0000
adelaide@ness.com.au