

DS-2CD6D24FWD-(I)Z(H)(S)(/NFC)  
Quad-Directional Varifocal PanoVu Camera

114-037



 smart IPC

- 1/2.7" Progressive Scan CMOS
- 1920 × 1080 @ 30fps
- FOV: horizontal 30° to 96.3°, vertical 17° to 54°, diagonal 34° to 121°
- H.265, H.264, H.265+, H.264+
- Fiber optical transmission, optional
- 10 m to 30 m IR range
- IP67, IK10
- 4 flexible lens
- 6 behavior analyses, 4 exception detection, and face detection

## Specifications

| <b>Camera</b>               |   |  |
|-----------------------------|---|--|
| Image Sensor                | 1/2.7" Progressive Scan CMOS  |  |
| Min. Illumination           | Color: 0.006 Lux @ (F1.2, AGC ON), 0.01 Lux @ (F1.6, AGC ON)<br>B/W: 0.002 Lux @ (F1.2, AGC ON); 0.003 Lux @ (F1.6, AGC ON)<br>0 Lux with IR on           |  |
| Shutter Speed               | 1 s - 1/100,000 s   |  |
| Auto-iris                   | No  |  |
| Day & Night                 | IR Cut Filter   |  |
| Digital Noise Reduction     | 3D DNR  |  |
| WDR                         | 120 dB  |  |
| 3-Axis Adjustment           | Four flexible lens in one track, slide range: -180° to 180°, tilt: 0° to 135°, rotate: 0° to 355°   |  |
| <b>Lens</b>                 |   |  |
| Focal length                | 2.8mm to 12mm   |  |
| Aperture                    | F1.6  |  |
| FOV                         | Horizontal field of view: 30° to 96.3°<br>Vertical field of view: 17° to 54°<br>Diagonal field of view: 34° to 121°                                       |  |
| Lens Mount                  | Φ14   |  |
| <b>IR</b>                   |   |  |
| IR Range                    | 10 m to 30 m  |  |
| Wavelength                  | 850 nm  |  |
| <b>Compression Standard</b> |   |  |
| Video Compression           | Main stream: H.265+/H.265/H.264+/H.264<br>Sub stream: H.265/H.264/MJPEG<br>Third stream: H.265/H.264  |  |
| H.264 Type                  | Baseline Profile/Main Profile/High Profile  |  |
| H.264+                      | Support   |  |
| H.265 Type                  | Main Profile  |  |
| H.265+                      | Support   |  |
| Video Bit Rate              | 32 Kbps to 16 Mbps  |  |
| Audio Compression           | G.711/G.722.1/G.726/MP2L2/PCM/AAC   |  |
| Audio Bit Rate              | 64Kbps(G.711)/16Kbps(G.722.1)/16Kbps(G.726)/32-192Kbps(MP2L2)/16-64Kbps(AAC)  |  |
| <b>Smart Feature-set</b>    |   |  |
| Behavior Analysis           | Line crossing detection, intrusion detection, region entrance detection, region exiting detection, unattended baggage detection, object removal detection |  |
| Exception Detection         | Audio exception detection, scene change detection, defocus detection  |  |
| Face Detection              | Yes   |  |
| Region of Interest          | Support 4 fixed region for each stream  |  |
| <b>Image</b>                |   |  |
| Max. Resolution             | 1920 × 1080   |  |
| Original Image              | Main stream   | 50Hz: 25fps (1920 × 1080, 1280 × 960, 1280 × 720)<br>60Hz: 30fps (1920 × 1080, 1280 × 960, 1280 × 720) |
|                             | Sub-stream  | 50Hz: 25fps (704 × 576, 640 × 480)<br>60Hz: 30fps (704 × 480, 640 × 480)                               |
|                             | Third stream  | 50Hz: 25fps (1920 × 1080, 1280 × 960, 1280 × 720, 704 × 576, 640 × 480)                                |

|                               |  |
|-------------------------------|--|
|                               | 60Hz: 30fps (1920 × 1080, 1280 × 960, 1280 × 720, 704 × 480, 640 × 480)  |
| Image Enhancement             | BLC, 3D DNR, EIS   |
| Image Setting                 | Rotate mode, saturation, brightness, contrast, sharpness, and white balance are adjustable by client software or web browser   |
| SVC                           | H.264 Support  |
| Day/Night Switch              | Day/Night/Auto/Schedule/Triggered by Alarm In (-S)   |
| Picture Overlay               | LOGO picture can be overlaid on video with 128 × 128 24bit bmp format  |
| <b>Network</b>                |  |
| Network Storage               | Support Micro SD/SDHC/SDXC card (128G), local storage and NAS (NFS,SMB/CIFS), ANR  |
| Alarm Trigger                 | Motion detection, video tampering alarm, network disconnected, IP address conflict, illegal login, HDD full, HDD error   |
| Protocols                     | TCP/IP, ICMP, HTTP, HTTPS, FTP, DHCP, DNS, DDNS, RTP, RTSP, RTCP, PPPoE, NTP, UPnP, SMTP, SNMP, IGMP, 802.1X, QoS, IPv6, UDP   |
| General Function              | One-key reset, anti-flicker, mirror, heartbeat, password protection, privacy mask, watermark, IP address filter  |
| API                           | ONVIF (PROFILE S, PROFILE G), ISAPI  |
| Simultaneous Live View        | Up to 20 channels  |
| User/Host                     | Up to 32 users<br>3 levels: Administrator, Operator and User   |
| Client                        | iVMS-4200  |
| Web Browser                   | IE8+, Chrome31-44, Firefox 30.0 - 51   |
| <b>Interface</b>              |  |
| Audio (-S)                    | 1-ch 3.5 mm input (line in/Mic in), 1-ch 3.5mm output, dual-track, stereo  |
| Communication Interface       | 1 RJ45 10M/100M/1000M Ethernet port<br>1 RS-485 interface (-S)<br>1 1000M FC fiber optical interface (-/NFC)   |
| Alarm (-S)                    | 2 input, 2 output (up to 24 VD, 1A or 110 VAC, 500mA )   |
| On-board storage              | Built-in Micro SD/SDHC/SDXC slot, up to 128 GB   |
| Reset Button                  | Yes  |
| <b>Audio</b>                  |  |
| Environment Noise Filtering   | Support  |
| Audio Sampling Rate           | 8 kHz/16 kHz/32 kHz/44.1 kHz/48 kHz  |
| <b>Fiber Optical</b>          |  |
| Interface Type                | FC interface   |
| Optical Type                  | Single mode, single fiber  |
| Input/output Wavelength       | Tx1310nm/1.25G, Rx1550nm/1.25G   |
| Transmission Distance         | 20 km  |
| <b>General</b>                |  |
| Operating Conditions          | -30 °C to 60 °C (-22 °F to 140 °F). -H: -40 °C to 60 °C (-40 °F to 140 °F)<br>Humidity 95% or less (non-condensing)  |
| Power Supply                  | 12 VDC ± 20%, 24 VAC ± 20% (for customization), three-core terminal block,<br>-I, -IZHS/NFC: Hi-PoE: 42.5 VDC to 57 VDC, -Z: PoE (802.3at)   |
| Power Consumption and Current | 12 VDC ± 20%: max. 28 W/2.3 A<br>24 VAC ± 20%, max. 50 to 60 Hz/2.5 A (for customization)<br>-I, -IZHS/NFC: Hi-PoE: 42.5 VDC to 57 VDC, max. 34W/0.9 A to 0.6 A<br>-Z: PoE (802.3at): 42.5 VDC to 57 VDC, max. 17W |
| Protection Level              | IP67, IK10   |
| Material                      | Aluminum alloy, engineering plastics   |

|            |  |
|------------|--|
| Dimensions | Camera: $\varnothing 290 \text{ mm} \times 145.5 \text{ mm}$ ( $\varnothing 11.42'' \times 5.73''$ )<br>Package: $453 \text{ mm} \times 393 \text{ mm} \times 385 \text{ mm}$ ( $17.8'' \times 15.47'' \times 15.16''$ ) |
| Weight     | Camera: Approx. 4.7 kg (10.3 lb.)<br>With package: Approx. 7.7 kg (16.8 lb.)   |

*\*The VCA function can be enabled for any channel separately, or for both Camera 01 and Camera 03, or Camera 02 and Camera 04.*

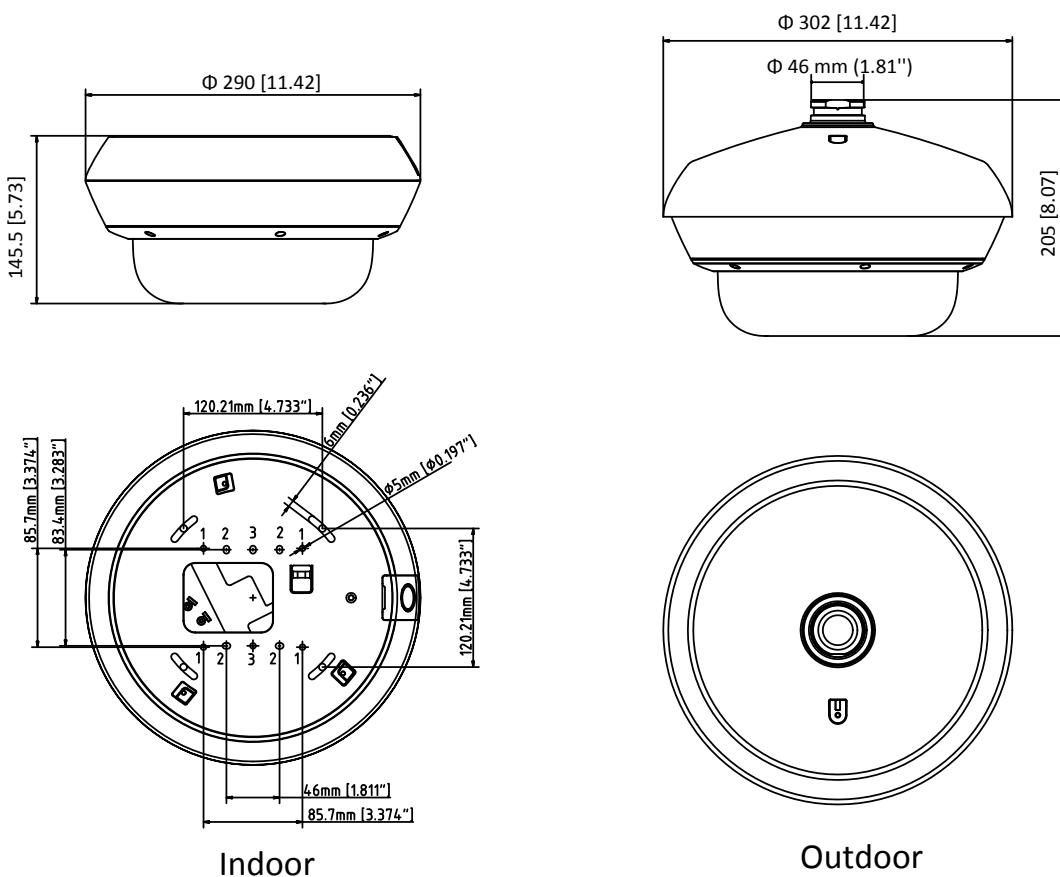
-I: IR supported

-H: heater supported, start-up in  $-40^{\circ}\text{C}$

-S: 1 audio input (line in), 1 audio output, 2 alarm input and 2 alarm output, and 1 RS-485 interface

-/NFC: fiber optical transmission supported

## Dimensions



## Accessories



DS-1602ZJ  
Wall Mount



DS-1603ZJ  
Wall Mount



DS-1663ZJ  
Pendant Mount



DS-1661ZJ  
Pendant Mount



DS-1275ZJ  
Vertical Pole Mount



DS-1276ZJ  
Corner Mount



DS-1673ZJ  
Horizontal Pole Mount

## ORDERING INFORMATION

114-037

Hikvision DS-2CD6D24FWD-IZS



Innovative Electronic Solutions  
[www.ness.com.au](http://www.ness.com.au)



**NSW** Ph 02 8825 9222  
[sales@ness.com.au](mailto:sales@ness.com.au)

**VIC** Ph 03 9875 6400  
[nessmelb@ness.com.au](mailto:nessmelb@ness.com.au)

**QLD** Ph 07 3399 4910  
[nessbris@ness.com.au](mailto:nessbris@ness.com.au)

**WA** Ph 08 9328 2511  
[nessper@ness.com.au](mailto:nessper@ness.com.au)

**SA** Ph 08 8152 0000  
[adelaide@ness.com.au](mailto:adelaide@ness.com.au)