

**DS-D5022FN00**  
**21.5 inch FHD Borderless Monitor**

114-285C



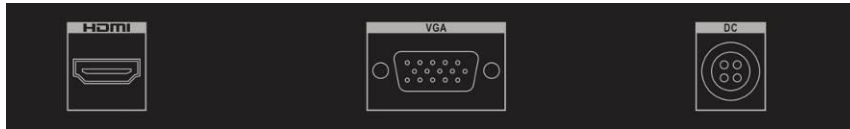
- Ultra-thin device body with ultra-thin border for 3 sides.
- 8 bit LVDS HD (1920 × 1080) display.
- 178° ultra-wide view screen.
- 3D noise reduction.
- Low blue light design for eye care.
- Dual interface of HDMI and VGA.
- Supports VESA wall mount.

## ▪ Specification

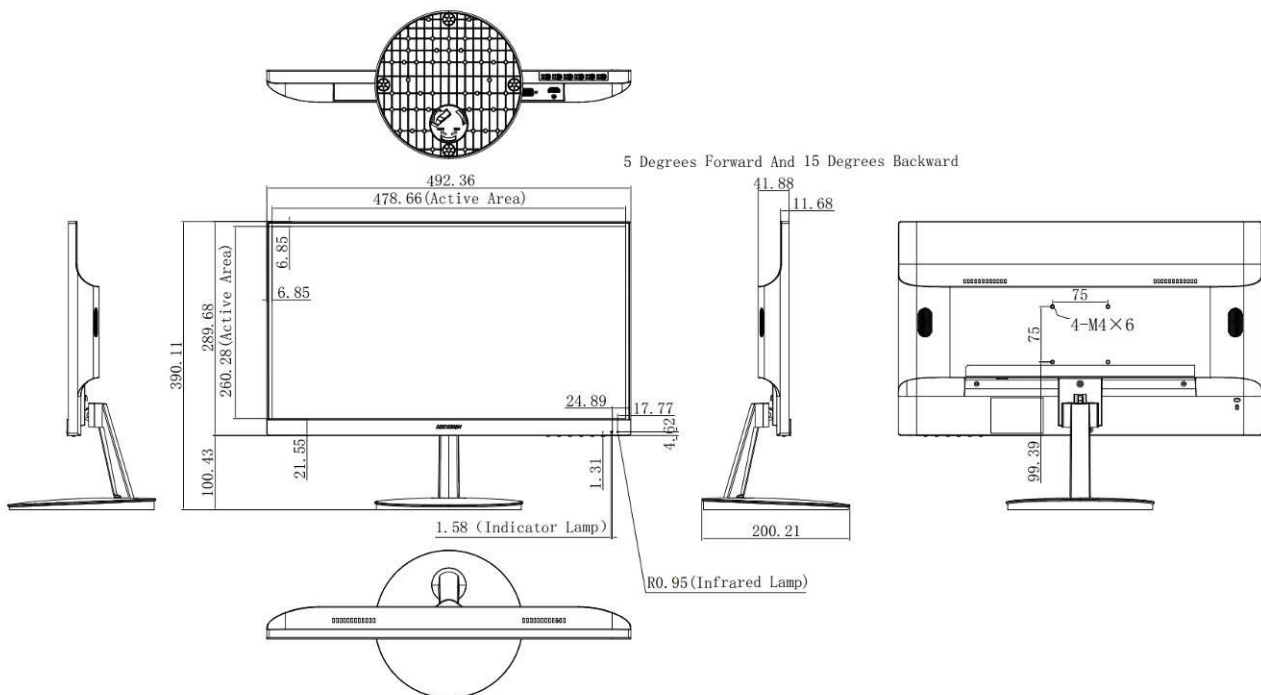
	Model	DS-D5022FN00
<b>Display</b>	Screen Size	21.5 inch
	Active Display Area	478.656 mm × 260.280 mm
	Resolution	1920 × 1080@60 Hz
	Backlight	E-LED
	Pixel Pitch	0.0831 mm (H) × 0.241 mm (V)
	Brightness	250 cd/m <sup>2</sup>
	Viewing Angle	178° (H) / 178° (V)
	Color Depth	8 bit
	Contrast Ratio	3000 : 1
	Response Time	6.5 ms
	Refresh Rate	60 Hz
	Haze	Haze 25%, 3H
	Reliability	7 × 16 H
	Color Gamut	72% NTSC
<b>Interface</b>	Video & Audio Input	HDMI 1.4 × 1, VGA × 1
	Video & Audio Output	None
	Data Transmission Interface	None
	Control Interface	None
<b>Power</b>	Power Supply	DC 12V, 2.0A
	Power Consumption	≤ 24 W
	Standby Consumption	≤ 0.5 W
<b>Working Environment</b>	Working Temperature	0 °C to 40 °C (32 °F to 104 °F)
	Working Humidity	10% to 90% RH (Non-Condensing)
	Storage Temperature	-20 °C to 60 °C (-4 °F to 140 °F)
	Storage Humidity	0% to 90% RH
<b>General</b>	Casing Material	Plastic
	VESA	75 mm × 75 mm (4 - M4 × 6 mm)
	Bezel Width	6.85 mm (top/left/right), 21.55 mm (bottom)
	Product Dimensions (W × H × D)	492.4 mm × 390.1 mm × 200.2 mm (19.4 × 15.4 × 7.9 inch)
	Package Dimensions (W × H × D)	599 mm × 393 mm × 109 mm (23.6 × 15.5 × 4.3 inch)
	Net Weight	2.08 ± 0.5 kg (4.6 ± 1.1 lb.)
	Gross Weight	3.4 ± 0.5 kg (7.5 ± 1.1 lb.)
	Packing List	Monitor × 1, Base component × 1, Power adapter (12 V, 2.0 A) × 1, HDMI cable (1.5 m) × 1, User manual × 1, Multilingual manual × 1
Remarks	If the appearance and parameters in this specification vary from the actual product, the later prevails. You can also consult local sale staff.	

## Physical Interface

Interface	Description	Interface	Description
HDMI	HDMI 1.4 digital signal input interface	VGA	VGA analog signal input interface
DC	DC 12V , 2.0 A		



## Dimension



Unit: mm

## ORDERING INFORMATION

114-285C Hikvision DS-D5022FN00 22" Monitor



Innovative Electronic Solutions  
www.ness.com.au



**NSW** Ph 02 8825 9222  
sales@ness.com.au

**VIC** Ph 03 9875 6400  
nessmelb@ness.com.au

**QLD** Ph 07 3399 4910  
nessbris@ness.com.au

**WA** Ph 08 9328 2511  
nessper@ness.com.au

**SA** Ph 08 8152 0000  
adelaide@ness.com.au