

DS-1473ZJ-155B

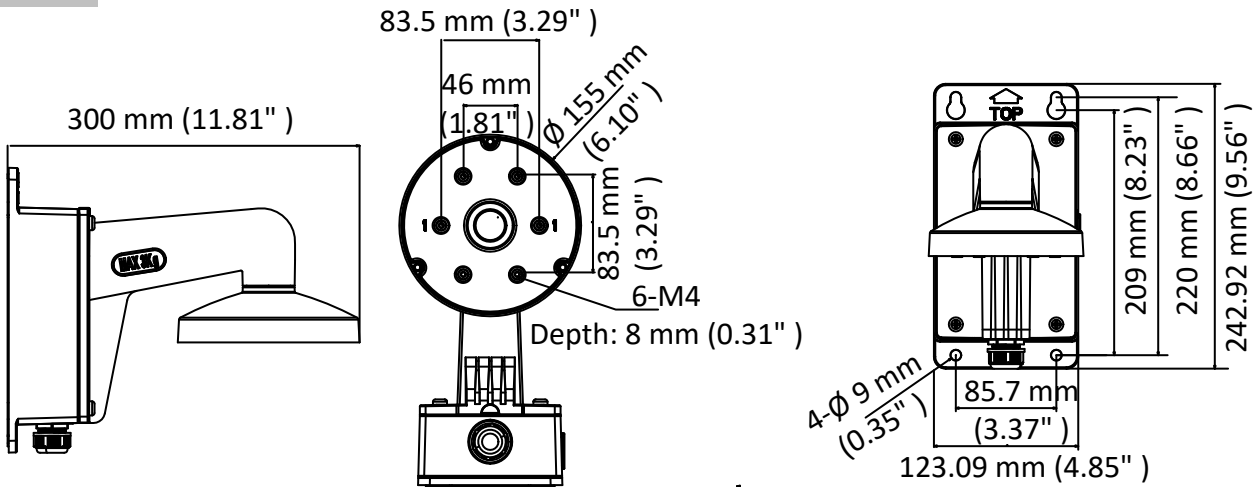
Wall Mount for Dome Camera



Feature

- Aluminum alloy with surface spray treatment
- The cap facilitates the installation
- Waterproof design

Dimension



Parameter

Model	DS-1473ZJ-155B
Parameters	Wall Mount for Dome Camera
Appearance	Hikvision White
Material	Aluminum Alloy
Dimension	$\varnothing 155$ mm \times 243 mm \times 300 mm (6.10" \times 9.56" \times 11.81")
Weight	1750 g (3.86 lb.)

Note

- The mount should be installed on the flat surface.
- The waterproof rubber is necessary for the outdoor application.
- The wall must be capable of supporting at least 3 times as much as the total weight of the camera, and the mount.
- The mount's maximum load capacity is 3 kg (6.61 lb.).

ORDERING INFORMATION

114-482

Hikvision DS-1473ZJ-155B Wall bracket for DS-2CD27xx series



Innovative Electronic Solutions
www.ness.com.au



NSW Ph 02 8825 9222
sales@ness.com.au

VIC Ph 03 9875 6400
nessmelb@ness.com.au

QLD Ph 07 3399 4910
nessbris@ness.com.au

WA Ph 08 9328 2511
nessper@ness.com.au

SA Ph 08 8152 0000
adelaide@ness.com.au